

# PLASCON CLOSE TEXTURE®

DENSE AGGREGATE BLOCKS

**PLASCON CLOSE TEXTURE** is a dense aggregate building block designed to accept direct painting for an attractive smooth and low maintenance finish. **PLASCON CLOSE TEXTURE** is manufactured in solid, hollow and cellular units and in an extensive range of strengths.

The high density of **PLASCON** provides high levels of durability and robustness, load bearing capacity and fixability. Sound insulation properties of **PLASCON**, particularly in 140mm Multicore format, are impressive. Multicore blocks to 140mm comply with the 20kg single lift requirements of the Construction (Design and Management) regulations.

**PLASCON CLOSE TEXTURE** is manufactured from crushed limestone aggregate, recycled aggregates and pulverised fuel ash to provide a tight texture.

**PLASCON CLOSE TEXTURE** is widely used in industrial, commercial and public sector building applications.

## APPLICATIONS

**EXTERNAL WALLS** -  
outer & inner leaf

**INTERNAL LOADBEARING WALLS**

**INTERNAL PARTITION WALLS**

**REINFORCED WALLS**

**PARTY WALLS**

**FLANKING WALLS**

**COLUMN ENCASEMENT**



*Fire Resistant*



*Good Sound Insulation*



*Readily Accepts Direct Painting*



*Quality Assured*



*Authority*



*Low Shrinkage*



*Loadbearing*



*Excellent Fixability*



# PLASCON CLOSE TEXTURE®


## DENSE AGGREGATE BLOCKS

### AUTHORITY

Plascon Close Textured blocks are manufactured to comply with BS EN 771-3. Production facilities operate under Quality Management Standard BS EN ISO 9001 Certificate Number FM 10847. (BSI Registration).

### PROPERTIES AND PERFORMANCE


#### Mean Compressive Strength

 7.3 N/mm<sup>2</sup> and 10.4 N/mm<sup>2</sup>.  
Higher strengths available on request.


#### Dry Density

 1950 Kg/m<sup>3</sup>.


#### Thermal Properties

  $k = 1.06 \text{ W/m}^\circ\text{C}$ .


#### Moisture Movement

 0.40mm/m.

#### Sound Insulation

 Plascon Close Texture blocks are Part E compliant. Consult our Technical Department for current sound performance data.


#### Fire Resistance

 Plascon Close Texture is manufactured from Class 1 Fire Resistant Aggregate as defined in BS 5628 Part 3.

#### Shear Bond Strength

 0.15 N/mm<sup>2</sup>.

#### Fixability

 The relatively high density of dense aggregate blocks provides the best medium for all types of fixings.

### PLASCON CLOSE TEXTURE PACK SIZES (Metric)

90 Solid	10.4m <sup>2</sup>	190 Solid	3.6m <sup>2</sup>
100 Solid	7.2m <sup>2</sup> *	190 Hollow	4.8m <sup>2</sup>
100 Hollow	9.6m <sup>2</sup>	215 Solid	3.0m <sup>2</sup>
140 Solid	4.8m <sup>2</sup>	215 Hollow	4.0m <sup>2</sup>
140 Hollow	6.4m <sup>2</sup>		







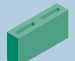



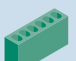
\* Pack size may vary between divisions



### METRIC SIZES AND TYPES

Work Size 440mm x width x 215mm








Co-ordinating Size 450mm x width x 225mm

Type	75mm	90mm	100mm	140mm	190mm	215mm
Solid						
Hollow/Cellular						
Multicore						

### METRIC MODULAR SIZES AND TYPES

Work Size 390mm x width x 190mm

Co-ordinating Size 400mm x width x 200mm

Type	90mm	100mm	140mm	190mm
Solid				
Hollow/Cellular				

NOTES: Green shading denotes block weights of **LESS THAN 20KG**. For high strength blocks check with Divisional Sales Office.

\* Grey shading denotes block weights of more than 20kg.