

# Declaration of performance

(No. 009\_02)

- |   |  |  |
|---|--|--|
| 1 | Unique Identification of the product:  | <b>140mm Plascon Standard &amp; Close Texture HOLLOW</b>   |
| 2 | Type, batch, or serial number for identification:  | <b>Plascon Hollow</b>  |
| 3 | Intended Use:  | <b>In walls, columns and partitions - Load and non-load bearing</b>  |
| 4 | Name & Address of the manufacturer:  | <b>Plasmor Ltd<br/>PO Box 44, Womersley Road<br/>Knottingley<br/>West Yorkshire<br/>WF11 0DL<br/><br/>t: 01977 673221<br/>e: technical@plasmor.co.uk</b> |
| 5 | System of Assessment / Attestation of conformity:  | <b>4</b>   |
| 6 | Notified Factory production control for inspection, factory production control and continual surveillance: | <b>Not Applicable</b>  |
| 7 | Declaration of Performance   |  |

Essential Characteristic		Performance	Harmonised Standard
Dimensions	Length (mm)	Standard 440	BS EN 771-3 (2011)
	Height (mm)	Standard 215	
	Width (mm)	Standard 140	
Compressive Strength Category		Category 2	
Compressive Strength (mean)		4.2N/mm <sup>2</sup>	
		7.3N/mm <sup>2</sup>	
Dimensional Stability (Shrinkage)		=< 0.60mm/m	
Bond Strength	Shear (Tabulated BS EN 998)	0.15N/mm <sup>2</sup>	
	Flexural	N.P.D.	
Reaction to Fire		Euro Class A1	
Water Absorption		N.P.D.	
Water Vapour diffusion coefficient, $\mu$	Tabulated EN 1745 - Table A 6	5 / 15	
Gross Dry Density		1900 KG/m <sup>3</sup>	
Configuration		Group 2 Hollow	
Dimensional Tolerances		Category D1	
Thermal Conductivity W/(m.K) Based upon Mortar 0.32W/(m.K) $\lambda_{10,dry,mat P = 50\%$	Assessed on void content & tabulated values, EN 1745, Table A3 & B 31	0.48	
Durability against Freeze Thaw		Not to be left exposed	

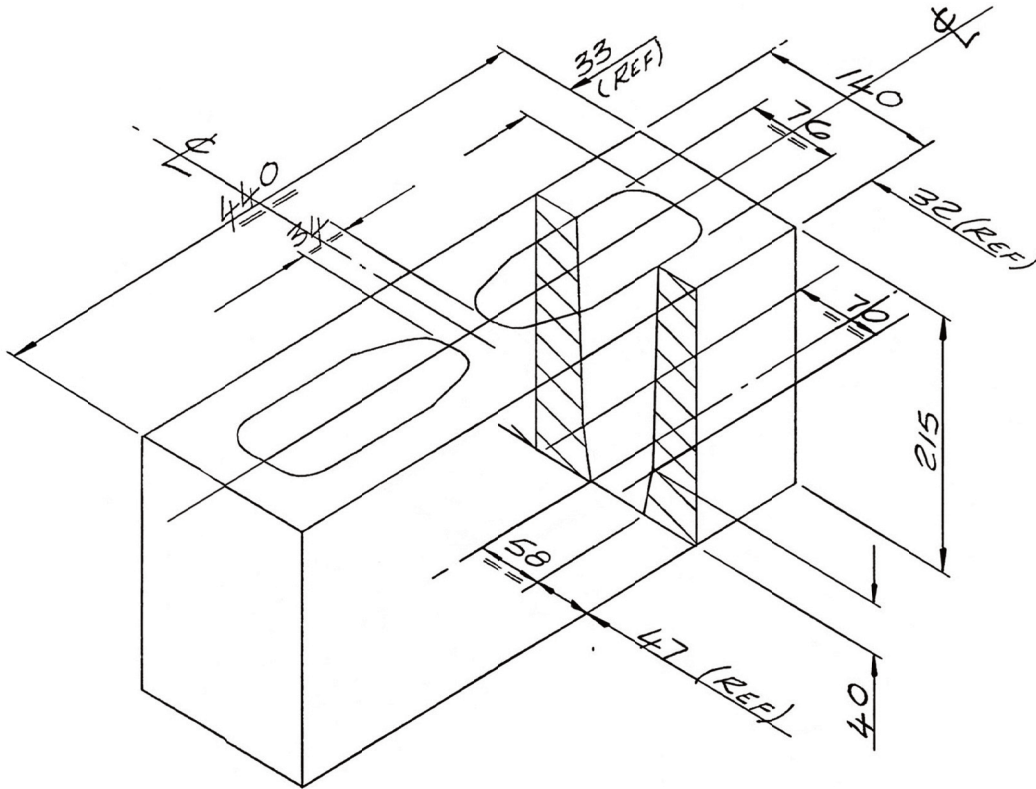
- 8 The performance of the products identified in points 1 & 2 is the conformity of the declared performance in point 7. This declaration is issued under the sole responsibility of the manufacturer identified in point 4.

Signed on behalf of Plasmor Ltd

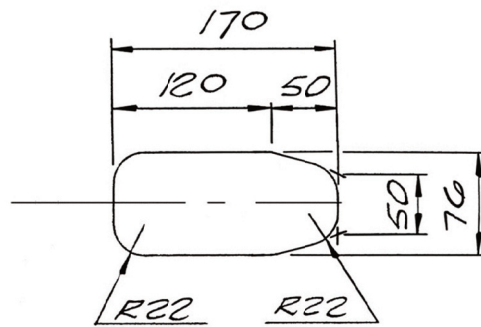


**J A Slater**  
Managing Director

# Isometric Elevation



TITLE				DETAIL OF 140 × 440 × 215 DEEP HOLLOW BLOCKS	
REF		SCALE 1:5			
DRAWN J MARSHALL	DATE	20/11/87	LOCATION		
APPROVED					
ISSUED					
MADE					
ERECTED			SKETCH N <sup>o</sup> U3/103		



### CORE DETAIL.

NOTE! BOTH CORES TO HAVE  
3<sup>mm</sup> DRAW ALL ROUND  
EXCEPT WHERE INDICATED