

Declaration of performance

(No. 012_02)

- | | | |
|---|--|--|
| 1 | Unique Identification of the product: | 140mm Stranlite Standard & Paint Grade HOLLOW |
| 2 | Type, batch, or serial number for identification: | Stranlite Hollow |
| 3 | Intended Use: | In walls, columns and partitions - Load and non-load bearing |
| 4 | Name & Address of the manufacturer: | Plasmor Ltd
PO Box 44, Womersley Road
Knottingley
West Yorkshire
WF11 0DL

t: 01977 673221
e: technical@plasmor.co.uk |
| 5 | System of Assessment / Attestation of conformity: | 4 |
| 6 | Notified Factory production control for inspection, factory production control and continual surveillance: | Not Applicable |
| 7 | Declaration of Performance | |

Essential Characteristic		Performance	Harmonised Standard
Dimensions	Length (mm)	Standard 440	BS EN 771-3 (2011)
	Height (mm)	Standard 215	
	Width (mm)	Standard 140	
Compressive Strength Category		Category 2	
Compressive Strength (mean)		7.3N/mm ²	
		10.4N/mm ²	
Dimensional Stability (Shrinkage)		=< 0.60mm/m	
Bond Strength	Shear (Tabulated BS EN 998)	0.15N/mm ²	
	Flexural	N.P.D.	
Reaction to Fire		Euro Class A1	
Water Absorption		N.P.D.	
Water Vapour diffusion coefficient, μ	Tabulated EN 1745 - Table A 8	5 / 15	
Gross Dry Density		1400 KG/m ³	
Configuration		Group 2 Hollow	
Dimensional Tolerances		Category D1	
Thermal Conductivity W/(m.K) Based upon Mortar 0.32W/(m.K) $\lambda_{10,dry,mat P = 50\%$	Assessed on void content & tabulated values, EN 1745, Table A8 & B 31	0.39	
Durability against Freeze Thaw		Not to be left exposed	

- 8 The performance of the products identified in points 1 & 2 is the conformity of the declared performance in point 7. This declaration is issued under the sole responsibility of the manufacturer identified in point 4.

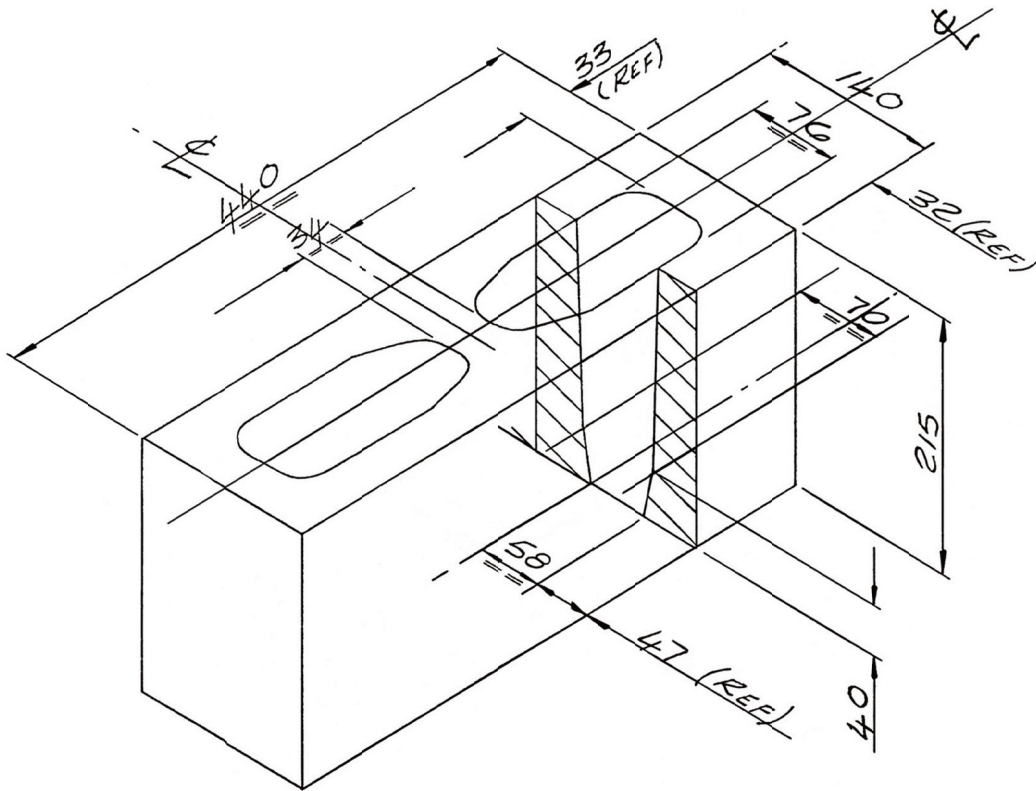
Signed on behalf of Plasmor Ltd



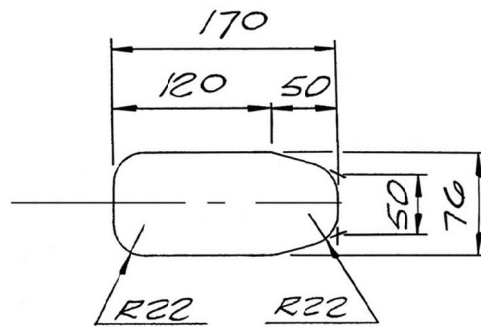
J A Slater
Managing Director

Plasmor Group of Companies
2023

Isometric Elevation



TITLE		DETAIL OF 140x440x215 DEEP HOLLOW BLOCKS	
REF		SCALE 1:5	
DRAWN J MARSHALL	DATE	20/11/87	LOCATION
APPROVED			
ISSUED			
MADE			
ERECTED			
		SKETCH NO 03/103	



CORE DETAIL.

NOTE ! BOTH CORES TO HAVE
3^{mm} DRAW ALL ROUND
EXCEPT WHERE INDICATED