

Declaration of performance

(No. 011_02)

- | | | |
|---|--|--|
| 1 | Unique Identification of the product: | 215mm Plascon Standard & Close Texture HOLLOW |
| 2 | Type, batch, or serial number for identification: | Plascon Hollow |
| 3 | Intended Use: | In walls, columns and partitions - Load and non-load bearing |
| 4 | Name & Address of the manufacturer: | Plasmor Ltd
PO Box 44, Womersley Road
Knottingley
West Yorkshire
WF11 0DL

t: 01977 673221
e: technical@plasmor.co.uk |
| 5 | System of Assessment / Attestation of conformity: | 4 |
| 6 | Notified Factory production control for inspection, factory production control and continual surveillance: | Not Applicable |
| 7 | Declaration of Performance | |

Essential Characteristic		Performance	Harmonised Standard
Dimensions	Length (mm)	Standard 440	BS EN 771-3 (2011)
	Height (mm)	Standard 215	
	Width (mm)	Standard 215	
Compressive Strength Category		Category 2	
Compressive Strength (mean)		7.3N/mm ²	
		10.4N/mm ²	
Dimensional Stability (Shrinkage)		=< 0.60mm/m	
Bond Strength	Shear (Tabulated BS EN 998)	0.15N/mm ²	
	Flexural	N.P.D.	
Reaction to Fire		Euro Class A1	
Water Absorption		N.P.D.	
Water Vapour diffusion coefficient, μ	Tabulated EN 1745 - Table A 3	5 / 15	
Gross Dry Density		1900 KG/m ³	
Configuration		Group 2 Hollow	
Dimensional Tolerances		Category D1	
Thermal Conductivity W/(m.K) Based upon Mortar 0.32W/(m.K) $\lambda_{10,dry,mat P = 50\%$	Assessed on void content & tabulated values, EN 1745, Table A3 & B 31	0.48	
Durability against Freeze Thaw		Not to be left exposed	

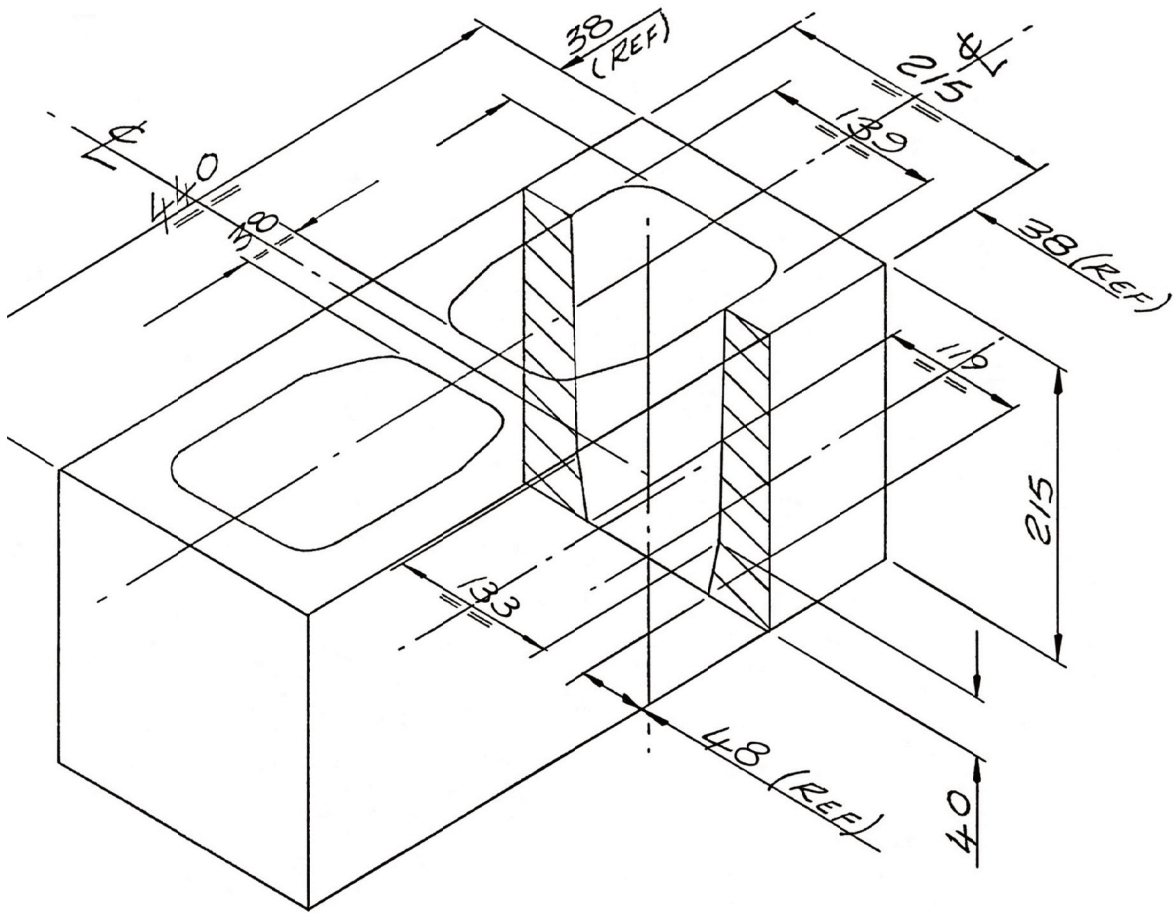
- 8 The performance of the products identified in points 1 & 2 is the conformity of the declared performance in point 7. This declaration is issued under the sole responsibility of the manufacturer identified in point 4.

Signed on behalf of Plasmor Ltd

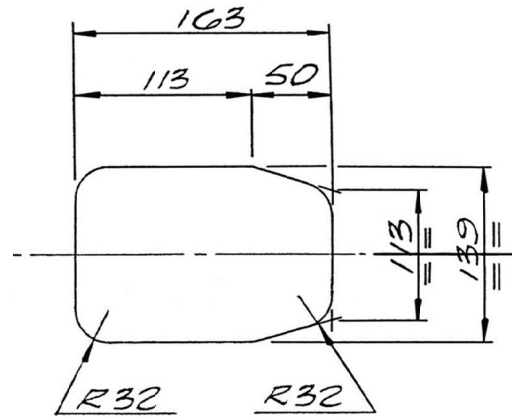


J A Slater
Managing Director

Isometric Elevation



<u>TITLE</u> ÷ <u>DETAIL OF 215 x 440 x 215</u> <u>DEEP HOLLOW BLOCK</u>	
<u>REF</u> ÷ <u>'C' PLANT</u>	<u>Scale</u> ÷
<u>Drawn</u> - R/HOGGART	<u>Location</u> ÷
<u>Approved</u> -	<u>'BEEDEE' VIZRAP</u>
<u>Issued</u> -	<u>REF-V3-12F</u>
<u>Made</u> -	<u>Sketch No-V3/11</u>
<u>Erected</u> -	



CORE DETAIL.

NOTE ∇ BOTH CORES TO HAVE
3^{MM} DRAW ALL ROUND
EXCEPT WHERE INDICATED