

**PLASMOR LIMITED - DECLARATION OF PERFORMANCE (No. 009\_02)**

- 1 Unique Identification of the product: **140mm Plascon Standard & Close Texture HOLLOW**
- 2 Type, batch, or serial number for identification: **Plascon Hollow**
- 3 Intended Use: **In walls, columns and partitions – Load and non-load bearing**
- 4 Name & Address of the manufacturer  
**Plasmor Ltd**  
**PO Box 44, Womersley Road**  
**Knottingley**  
**West Yorkshire**  
**WF11 0DL                      01977 673221    technical@plasmor.co.uk**
- 5 System of Assessment / Attestation of conformity **4**
- 6 Notified Factory production control for inspection, factory production control and continual surveillance:- **Not Applicable**
- 7 Declaration of Performance

Essential Characteristic		Performance	Harmonised Standard
Dimensions	Length (mm)	Standard 440	BS EN 771-3 (2011)
	Height (mm)	Standard 215	
	Width (mm)	Standard 140	
Compressive Strength Category		Category 2	
Compressive Strength (mean)		7.3N/mm <sup>2</sup>	
		10.4N/mm <sup>2</sup>	
Dimensional Stability (Shrinkage)		=< 0.60mm/m	
Bond Strength	Shear (Tabulated BS EN 998)	0.15N/mm <sup>2</sup>	
	Flexural	N.P.D.	
Reaction to Fire		Euro Class A1	
Water Absorption		N.P.D.	
Water Vapour diffusion coefficient, $\mu$	Tabulated EN 1745 - Table A 3	5 / 15	
Gross Dry Density		1900 KG/m <sup>3</sup>	
Configuration – See attached sketch, 40% Void		Group 2 Hollow	
Dimensional Tolerances		Category D1	
Thermal Conductivity W/(m.K) <i>Based upon Mortar 0.32W/(m.K)</i> $\lambda_{10,dry,mat} P = 50\%$	Assessed on void content & tabulated values, EN 1745, Table A3 & B 31	0.48	
Durability against Freeze Thaw		Not to be left exposed	

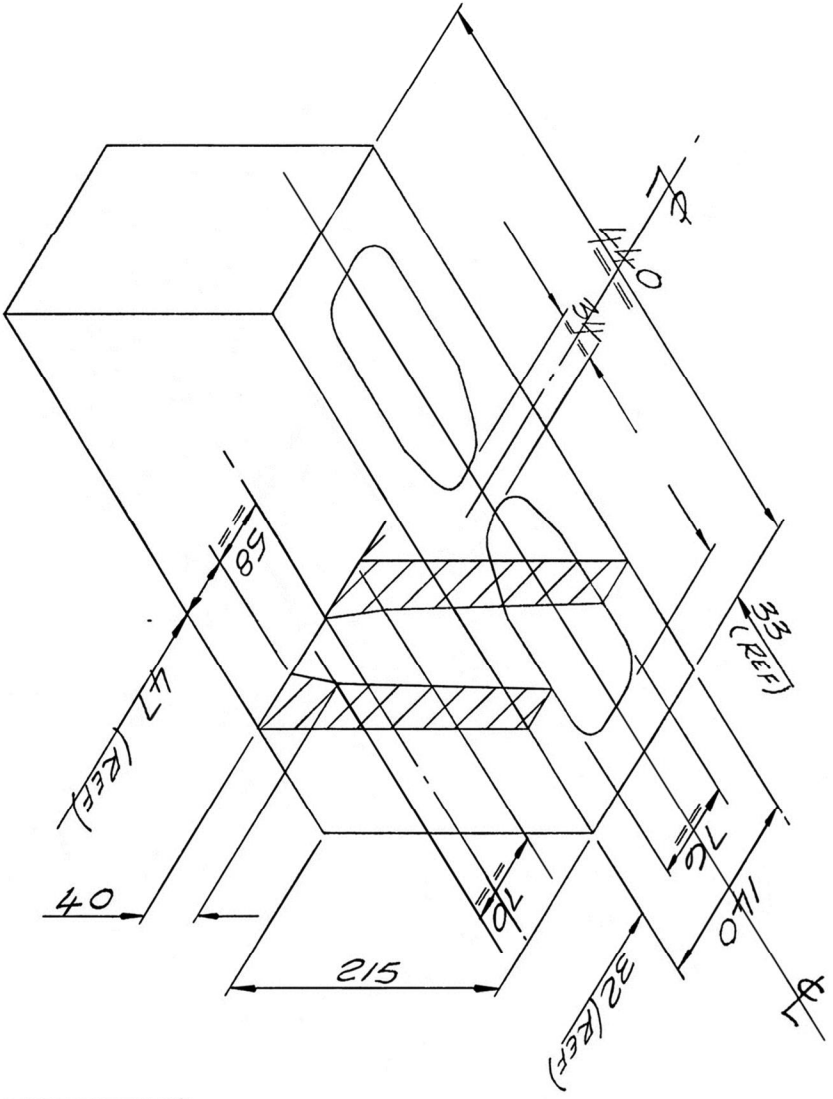
- 8 The performance of the products identified in points 1 & 2 is the conformity of the declared performance in point 7. This declaration is issued under the sole responsibility of the manufacturer identified in point 4.

*Signed on behalf of Plasmor Ltd*

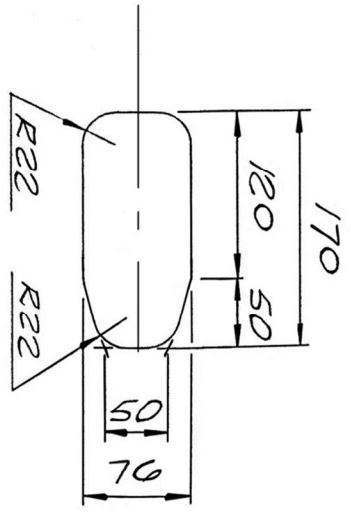


..... J.A.Slater (Managing Director)

Knottingley, West Yorkshire, June 2014



ISOMETRIC ELEVATION.



CORE DETAIL.

NOTE: BOTH CORES TO HAVE  
 3% DRAW ALL ROUND  
 EXCEPT WHERE INDICATED

TITLE		DETAIL OF 140 x 440 x 215 DEEP HOLLOW BLOCKS	
REF	SCALE 1:5		
DRAWN BY	MARSHALL	20/11/87	LOCATION
APPROVED	DATE		
ISSUED	SKETCH No. 03/103		
MADE			
ERECTED			