

PLASMOR LIMITED - DECLARATION OF PERFORMANCE (No. 012_02)

- 1 Unique Identification of the product: **140mm Stranlite Standard & Paint Grade HOLLOW**
- 2 Type, batch, or serial number for identification: **Stranlite Hollow**
- 3 Intended Use: **In walls, columns and partitions – Load and non-load bearing**
- 4 Name & Address of the manufacturer
Plasmor Ltd
PO Box 44, Womersley Road
Knottingley
West Yorkshire
WF11 0DL 01977 673221 technical@plasmor.co.uk
- 5 System of Assessment / Attestation of conformity **4**
- 6 Notified Factory production control for inspection, factory production control and continual surveillance:- **Not Applicable**
- 7 Declaration of Performance

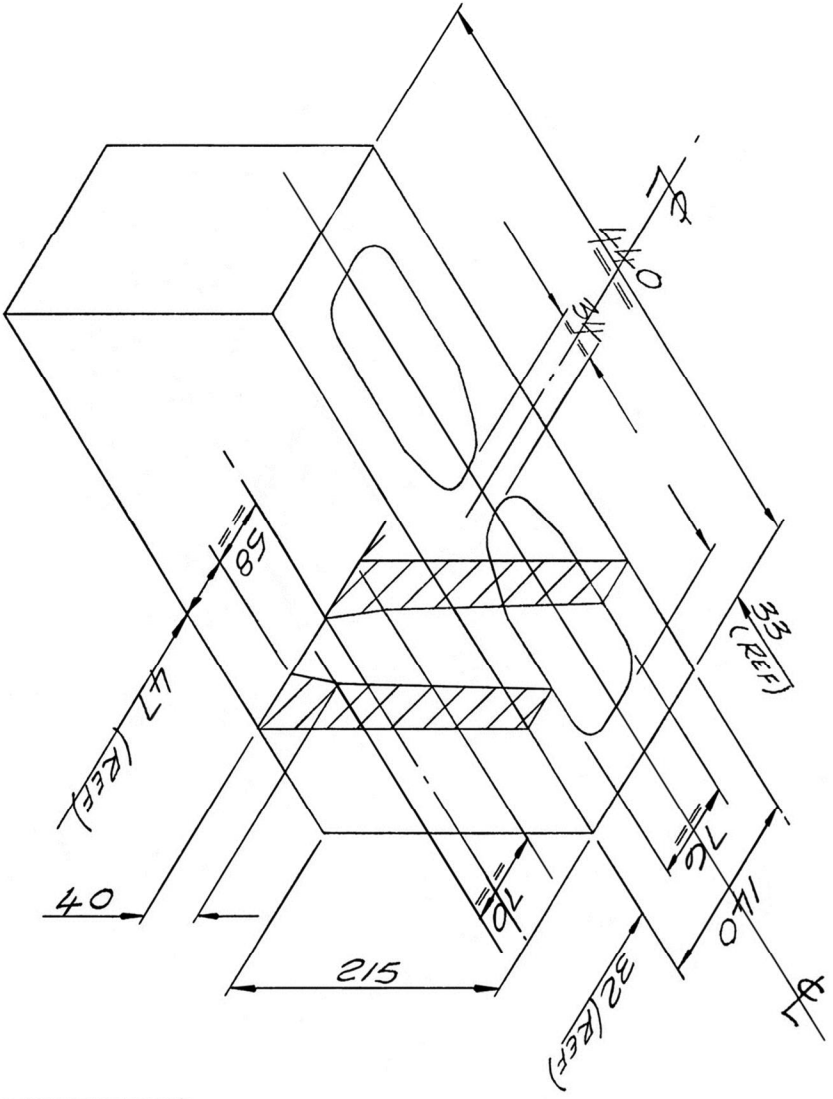
| Essential Characteristic | | Performance | Harmonised Standard |
|---|---|---|---------------------|
| Dimensions | Length (mm) | Standard 440 | BS EN 771-3 (2011) |
| | Height (mm) | Standard 215 | |
| | Width (mm) | Standard 140 | |
| Compressive Strength Category | | Category 2 | |
| Compressive Strength (mean) | | 7.3N/mm ² 10.4N/mm ² | |
| Dimensional Stability (Shrinkage) | | =< 0.60mm/m | |
| Bond Strength | Shear (Tabulated BS EN 998) | 0.15N/mm ² | |
| | Flexural | N.P.D. | |
| Reaction to Fire | | Euro Class A1 | |
| Water Absorption | | N.P.D. | |
| Water Vapour diffusion coefficient, μ | Tabulated EN 1745 - Table A 8 | 5 / 15 | |
| Gross Dry Density | | 1400 KG/m ³ | |
| Configuration, see attached sketch 40% void | | Group 2 Hollow | |
| Dimensional Tolerances | | Category D1 | |
| Thermal Conductivity W/(m.K) <i>Based upon Mortar 0.32W/(m.K)</i> $\lambda_{10,dry,mat} P = 50\%$ | Assessed on void content & tabulated values, EN 1745, Table A8 & B 31 | 0.39 | |
| Durability against Freeze Thaw | | Not to be left exposed | |

- 8 The performance of the products identified in points 1 & 2 is the conformity of the declared performance in point 7. This declaration is issued under the sole responsibility of the manufacturer identified in point 4.

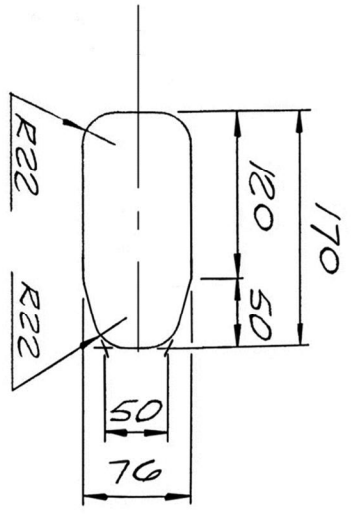
Signed on behalf of Plasmor Ltd



..... J.A.Slater (Managing Director)
 Knottingley, West Yorkshire, June 2104



ISOMETRIC ELEVATION.



CORE DETAIL.

NOTE: BOTH CORES TO HAVE
 3% DRAW ALL ROUND
 EXCEPT WHERE INDICATED

| | | | |
|----------|-------------------|---|----------|
| TITLE | | DETAIL OF 140 x 440 x 215 DEEP HOLLOW BLOCKS | |
| REF | SCALE 1:5 | | |
| DRAWN BY | MARSHALL | 20/11/87 | LOCATION |
| APPROVED | DATE | | |
| ISSUED | SKETCH No. 03/103 | | |
| MADE | | | |
| ERECTED | | | |