

**PLASCON®**

## DENSE AGGREGATE BLOCKS

**PLASCON** is a dense aggregate general purpose concrete building block manufactured in solid, hollow and cellular units and in an extensive range of strengths. The high density and high strength of **PLASCON** provides high levels of durability and robustness, load bearing capacity and fixability. Sound insulation properties of **PLASCON**, particularly in multicore format, are impressive. Multicore blocks to 140mm comply with the 20kg single lift requirements of the Construction (Design and Management) Regulations.

**PLASCON** is manufactured from crushed limestone aggregate, recycled aggregates and pulverised fuel ash. They are plain ended, light buff in colour and available in Open Texture and paintgrade quality Close Texture which accepts direct painting for an attractive smooth and low maintenance finish.

**APPLICATIONS**

*EXTERNAL WALLS -  
outer & inner leaf*

*INTERNAL PARTITION WALLS*

*REINFORCED WALLS*

*PARTY WALLS*

*FLANKING WALLS*

*COLUMN ENCASEMENT*

*WALLS BELOW DPC*

*SUSPENDED FLOORS -  
Beam & Block*



*Fire Resistant*



*Good Sound Insulation*



*Available as Paintgrade*



*Quality Assured*



*Authority*



*Low Shrinkage*



*Loadbearing*



*Excellent Fixability*



# PLASCON®

## DENSE AGGREGATE BLOCKS

### AUTHORITY

Plascon blocks are manufactured in production facilities to BS EN 771-3, with third party accreditation under BSI as follows:-

**BS EN ISO 9001**  
FM 10847 Certificate Number

**BS EN ISO 14001**  
EMS 536819 Certificate Number

**BES 6001**  
BES 585086 - 'Good' achieved

**BS EN 15037** Beam &  
CPR 601346 Block Floors 


### PLASCON PACK SIZES (Metric)

SOLID		HOLLOW	
75mm	9.0m <sup>2</sup>		
90mm	7.8m <sup>2</sup>		
100mm	7.2m <sup>2</sup> *	100mm	9.6m <sup>2</sup>
140mm	4.8m <sup>2</sup>	140mm	6.4m <sup>2</sup>
190mm	3.6m <sup>2</sup>	190mm	4.8m <sup>2</sup>
215mm	3.0m <sup>2</sup>	215mm	3.0m <sup>2</sup>


\* Pack size may vary between divisions

### PROPERTIES AND PERFORMANCE


#### Mean Compressive Strength

 7.3 N/mm<sup>2</sup> and 10.4 N/mm<sup>2</sup>.  
Higher strengths available on request.


#### Dry Density

 1900 Kg/m<sup>3</sup>.


#### Thermal Value (at 3% moisture)

 k = 1.13W/m°C.

#### Moisture Movement

 Not greater than 0.60mm/m\*.


#### Sound Insulation

 Plascon complies with Part E and Robust Details for floors and walls\*.


#### Shear Bond Strength

 0.15 N/mm<sup>2</sup>.

#### Fire Resistance

 Plascon blocks are manufactured from Class 1 Fire Resistant Aggregate as defined in BS 5628 Part 3 and comply with BS EN 1996-1-2005.

#### Fixability

 Plascon blocks accept direct nailing and are easy and speedy to drill and plug.

#### Mortar Designation


 **Class (iii)** for walls ABOVE DPC by volume

Cement : Lime : Sand	1 : 1 : 6
Cement : Sand	1 : 5 to 6

**Class (ii)** for walls BELOW DPC by volume

Cement : Lime : Sand	1 : ½ : 4
Cement : Sand	1 : 3 to 4

#### Rendering

 Builders considering the use of proprietary single coat render systems must exercise caution to accurately adhere to the render manufacturers' design and specification guides. Furthermore, during application, strictly adhere to the specific and expansive application instructions, paying particular attention to prevailing weather conditions applied thereto. PLEASE NOTE that traditional rendering applications are not so seasonally and conditionally demanding.







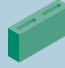
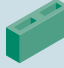



\* Consult our technical department for further information.



### METRIC SIZES AND TYPES

Work Size 440mm x width x 215mm





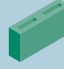


Co-ordinating Size 450mm x width x 225mm

Type	75mm	90mm	100mm	140mm	190mm	215mm
Solid						
Hollow/Cellular						
Multicore						

### MODULAR SIZES AND TYPES

Work Size 390mm x width x 190mm

Co-ordinating Size 400mm x width x 200mm

Type	90mm	100mm	140mm	190mm
Solid				
Hollow/Cellular				

NOTES: Green shading denotes block weights of **LESS THAN 20KG**. For high strength blocks check with Divisional Sales Office.

\* Grey shading denotes block weights of more than 20kg.